

STRUT CHANNEL

PRODUCT CATALOGUE

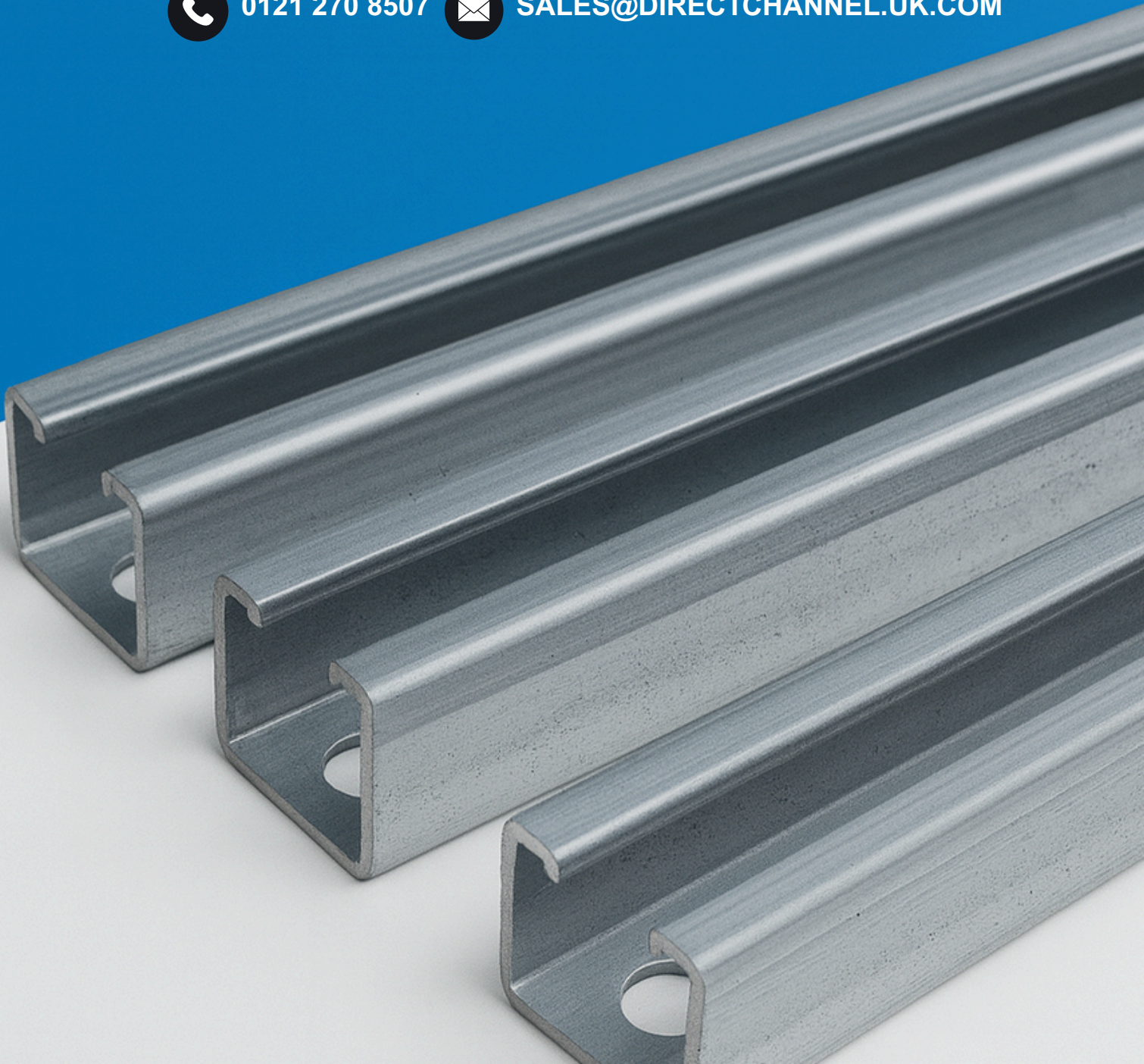
 **DIRECT CHANNEL**
SUPPORT SYSTEMS LIMITED



0121 270 8507



SALES@DIRECTCHANNEL.UK.COM



Strut Channel & Brackets

Our Strut Channel systems are engineered for strength, modularity, and performance across all types of support and containment structures. Available in 41x41mm, 41x21mm, and back-to-back profiles, our range includes pre-galvanised, hot-dip galvanised, and stainless steel A4 finishes. Whether for mechanical supports, cable trays, or bracket assemblies,

Direct Channel strut is fully compatible with industry-standard fittings and channel accessories.

- ✓ Heavy & light-duty options
- ✓ Slotted & plain profiles
- ✓ 3M & 6M lengths available
- ✓ Ideal for HVAC, M&E, and building services

STRUT CHANNEL

Pre-Galvanised / Hot Rolled / Hot Dip Galvanised / Stainless				
Size: Height 21mm 2.5mm Thickness Plain & Slotted				
Available: 1 meter – 6 meters				
Size	Pre-Galv	Hot Rolled	Hot Dipped Galv	A4 Stainless
Plain				
1 Meter	CP21-1	-	CP21H-1	CP21SS-1
2 Meter	CP21-2	-	CP21H-2	CP21SS-2
3 Meter	CP21	CP21HR	CP21H	CP21SS
4 Meter	CP21-4	-	CP21H-4	CP21SS-4
5 Meter	CP21-5	-	CP21H-5	CP21SS-5
6 Meter	CP21-6	-	CP21H-6	CP21SS-6
Slotted				
1 Meter	CS21-1	-	CS21H-1	CS21SS-1
2 Meter	CS21-2	-	CS21H-2	CS21SS-2
3 Meter	CS21	CS21HR	CS21H	CS21SS
4 Meter	CS21-4	-	CS21H-4	CS21SS-4
5 Meter	CS21-5	-	CS21H-5	CS21SS-5
6 Meter	CS21-6	-	CS21H-6	CS21SS-6



CHANNEL STRUT / HEAVY GAUGE 41mm				
Pre-Galvanised / Hot Rolled / Hot Dip Galvanised / Stainless				
Size: Height 41mm 2.5mm Thickness Plain & Slotted				
Available: 1 meter – 6 meters				
Size	Pre -Galv	Hot Rolled	Hot Dipped Galv	A4 Stainless
Plain				
1 Meter	CP41-1	-	CP41H-1	CP41SS-1
2 Meter	CP41-2	-	CP41H-2	CP41SS-2
3 Meter	CP41	CP41HR	CP41H	CP41SS
4 Meter	CP41-4	-	CP41H-4	CP41SS-4
5 Meter	CP41-5	-	CP41H-5	CP41SS-5
6 Meter	CP41-6	-	CP41H-6	CP41SS-6
Slotted				
1 Meter	CS41-1	-	CS41H-1	CS41SS-1
2 Meter	CS41-2	-	CS41H-2	CS41SS-2
3 Meter	CS41	CS41HR	CS41H	CS41SS
4 Meter	CS41-4	-	CS41H-4	CS41SS-4
5 Meter	CS41-5	-	CS41H-5	CS41SS-5
6 Meter	CS41-6	-	CS41H-6	CS41SS-6



LIGHTGAUGE CHANNEL - (1.5mm) / pre-Galv



21mm Plain Channel		21mm Slotted Channel	
Size: 41x21x1.5mm		Size: 41x21x1.5mm	
Available: 1-6 Meters		Available: 1-6 Meters	
Product Code	Length	Product Code	Length
CP21L-1	1 Meter	CS21L-1	1 Meter
CP21L-2	2 Meter	CS21L-2	2 Meter
CP21L	3 Meter	CS21L	3 Meter
CP21L-4	4 Meter	CS21L-4	4 Meter
CP21L-5	5 Meter	CS21L-5	5 Meter
CP21L-6	6 Meter	CS21L-6	6 Meter

LIGHTGAUGE CHANNEL - (1.5mm) / pre-Galv



41mm Plain Channel		41mm Slotted Channel	
Size: 41x41x1.5mm		Size: 41x41x1.5mm	
Available: 1-6 Meters		Available: 1-6 Meters	
Product Code	Length	Product Code	Length
CP41L-1	1 Meter	CS41L-1	1 Meter
CP41L-2	2 Meter	CS41L-2	2 Meter
CP41L	3 Meter	CS41L	3 Meter
CP41L-4	4 Meter	CS41L-4	4 Meter
CP41L-5	5 Meter	CS41L-5	5 Meter
CP41L-6	6 Meter	CS41L-6	6 Meter

CHANNEL BACK TO BACK STRUT / HEAVY GAUGE 21mm

Pre-Galvanised / Hot Rolled / Hot Dip Galvanised / Stainless

Size: 2x 41 x 21
2.5mm Thickness
Plain & Slotted

Available: 3 meter & 6 meter

Size	Pre Galv	Hot Dipped Galv	A4 Stainless
Plain			
3 Meter	CP21B	CP21HB	CP21A4B
6 Meter	CP21B-6	CP21HB-6	CP21A4B-6
Slotted			
3 Meter	CS21B	CS21HB	CS21A4B
6 Meter	CS21B-6	CS21HB-6	CS21A4B-6



CHANNEL BACK-TO-BACK STRUT / HEAVYGAUGE 41mm

Pre-Galvanised / Hot Rolled / Hot Dip Galvanised / Stainless

Size: 2x 41mm x 41mm
2.5mm Thickness
Plain & Slotted

Available: 3 meter & 6 meters

Size	Pre Galv	Hot Dipped Galv	A4 Stainless
Plain			
3 Meter	CP41B	CP41HB	CP41A4B
6 Meter	CP41B-6	CP41HB-6	CP41A4B-6
Slotted			
3 Meter	CS41B	CS41HB	CS41A4B
6 Meter	CS41B-6	CS41HB-6	CS41A4B-6



EXT RA DEEP CHANNEL / HEAVY GAUGE 82 mm

Pre-Galvanised

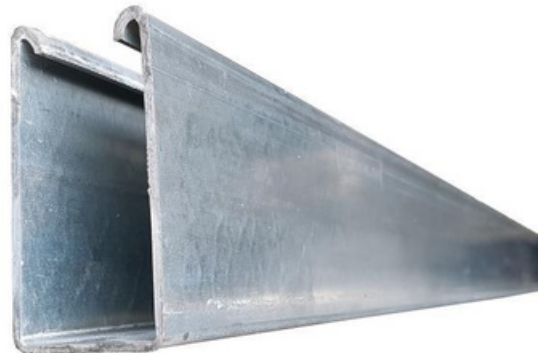
Size: 82mm x 41mm

2.5mm Thickness


Plain

Available: 3 meter & 6 meter

Size	Plain	Slotted
3 Meter	CP82	CS82
6 Meter	CP82-6	CS82-6




CHANNEL NUTS

PLAIN CHANNEL NUTS	THREAD SIZE	BZP	HDG	STAINLESS STEEL
	M6	CNP6	CNP6G	CNP6A4
	M8	CNP8	CNP8G	CNP8A4
	M10	CNP10	CNP10G	CNP10A4
	M12	CNP12	CNP12G	CNP12A4
	M16	CNP16	CNP16G	CNP16A4

SHORT SPRING CHANNEL NUTS	THREAD SIZE	BZP	HDG	STAINLESS STEEL
	M6	CNS6	CNS6G	CNS6A4
	M8	CNS8	CNS8G	CNS8A4
	M10	CNS10	CNS10G	CNS10A4
	M12	CNS12	CNS12G	CNS12A4


CHANNEL NUTS

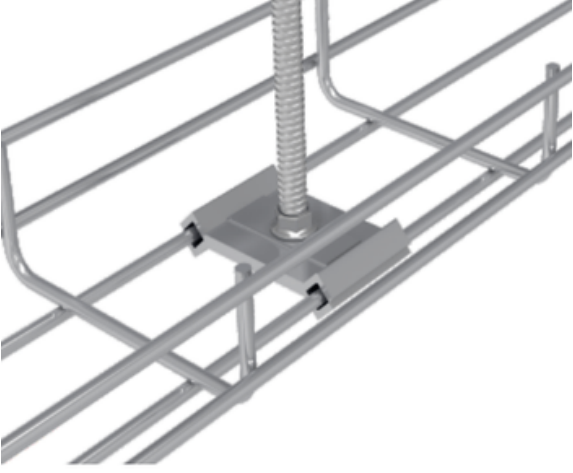
LONG SPRING CHANNEL NUTS	THREAD SIZE	BZP	HDG	STAINLESS STEEL
	M6	CNL6	CNL6G	CNL6A4
	M8	CNL8	CNL8G	CNL8A4
	M10	CNL10	CNL10G	CNL10A4
	M12	CNL12	CNL12G	CNL12A4

SQUARE PLATE WASHERS

SQUARE PLATE WASHER <u>THICKNESS 3MM</u>	THREAD SIZE	BZP
	M6	SPW06-3B40
	M8	SPW08-3B40
	M10	SPW10-3B40
	M12	SPW12-3B40

SQUARE PLATE WASHER <u>THICKNESS 5MM</u>	THREAD SIZE	BZP	HDG	STAINLESS STEEL
	M6	SPW06-5B40	D001/06	SPW06-A4
	M8	SPW08-5B40	D001/08	SPW08-A4
	M10	SPW10-5B40	D001/10	SPW10-A4
	M12	SPW12-5B40	D001/12	SPW12-A4
	M16	-	D01/XL16	-

TOP HAT SQUARE PLATE WASHER <u>3MM THICK</u>	THREAD SIZE	BZP
	M6	SPW06-TH.Q1
	M8	SPW08-TH.Q1
	M10	SPW10-TH.Q1
	M12	SPW12-TH.Q1

CENTRAL HANGING PLATE	THREAD SIZE	ELECTRO ZINC PLATED
	M6	CHP06-Z
	M10	CHP810-Z

C8 Black (C8)



[Pemsa – M8 / M10 – C8 Black Central Hanging Plate](#)

[Pemsa – Click Central Hanging Plate – Black C8](#)

FOR

M8 & M10 Threaded Rod

FOR

M8 & M10 Threaded Rod

Code

CHP810-BLK

Code

C8B/CLIKC

BRACKETRY & CLAMPS

FLAT PLATES		
Hot Dipped Galvanised / Stainless Steel Size: 40mm Wide		
5mm Thickness		
Available: Various		
Size	HDG	Stainless
2 Hole	D002	D002A4
3 Hole	D003	D003A4
4 Hole	D004	D004A4
5 Hole	D005	D005A4
90 Degree L FlatTee	D006G5	D006A4
	D007G5	D007A4
		-



FLAT PLATES					
					
Flat Cross – 137x137x5mm		Flat Gusset/Delta Plate – Type (P1358) – 136x89x5mm		Flat Four Delta Way Plate – Type (P1580)	
Finish	HDG	Finish	HDG	Finish	HDG
Code	D054	Code	D055	Code	D081

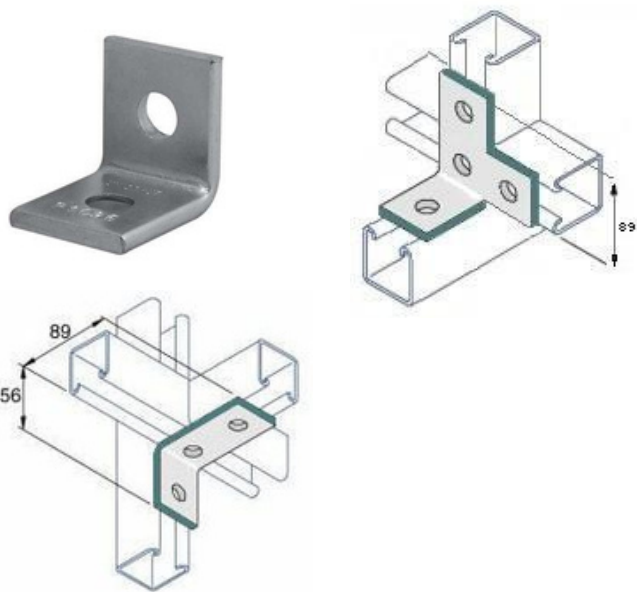
90 DEGREE RIGHT ANGLES

Hot Dipped Galvanised / Stainless Steel

Size: 40mm Wide
5mm Thickness

Available: Various lengths

Size	Variation	HDG	Stainless
1 x 1 hole	50mm x 47mm	D008	D008A4
1 x 1 hole	57mm x 41mm	D009	D009A4
2 x 1 hole		D010	-
1 x 2 holes	41mm x 104mm	D011	D011A4
2 x 1 hole	89mm x 56mm	D012	-
2 x 2 hole	89mm x 104mm	D013	D013A4
3 x 1 hole		D014	D014A4
Angle tee RH		D015	-
Angle Tee LH		D016	-
AngleTee Centre		D017	-



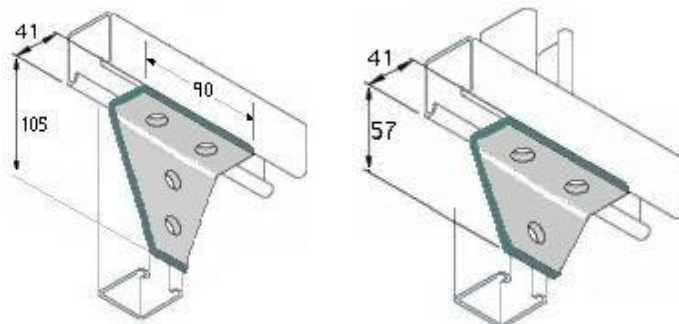
DELTA PLATES

Hot Dipped Galvanised / A4 Stainless

Size: 14mm Diameter Holes
5mm Thickness

Available: Various

Size	Variation	HDG	Stainless
2 x 2 hole	50mm x 47mm	D018	D018A4
2 x 1 hole	57mm x 41mm	D019	D019A4



GUSSET PLATES

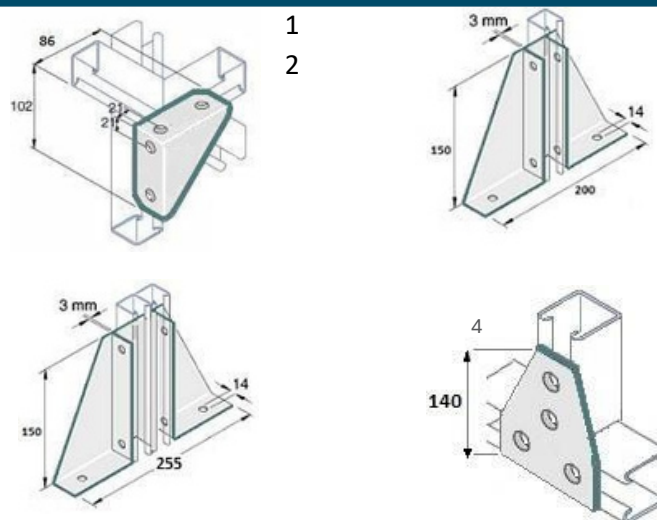
Hot Dipped Galvanised / Stainless Steel

Size: 14mm Diameter Holes

5mm Thickness

Available: Various

Size	Fig.	HDG	A4 Stainless
R/A Welded 2 x 2 hole	1	D020	D020A4
Single Gusset Base	2	D037	D037A4
Double Gusset Base	3	D038	-
Flat Gusset	4	D055	-

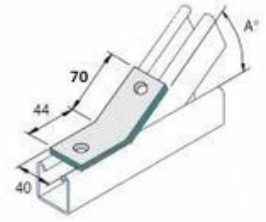
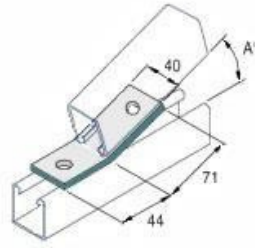


OBTUSE/ACUTE ANGLE BRACKETS

Hot Dipped Galvanised / Stainless Steel

Size: 14mm Diameter Holes
5mm Thickness

Available: Various angles



Size	Angle	HDG
------	-------	-----

1 x 1 hole	22.5° Obtuse 45°	D021
1 x 2 hole	45° Obtuse	D022
1 x 1 hole	15° Obtuse	D023
1 x 1 hole	45° Acute	D022
2 x 2 hole	45° Obtuse	D022A

Z BRACKETS

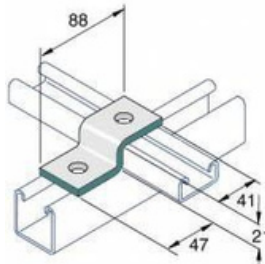
Hot Dipped Galvanised / Stainless Steel

Size: 14mm Diameter Holes
5mm Thickness

Fits: 21mm/41mm/82mm strut

Size	HDG	Stainless
------	-----	-----------

21mm	D026	D026A4
41mm	D027GS	D027A4
82mm	D028	D028A4
Tapped Zee	D043	-



TOP HAT U BRACKETS

Hot Dipped Galvanised / Stainless Steel

Size: 14mm Diameter Holes

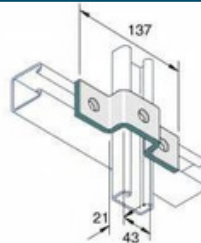
5mm Thickness

Available:

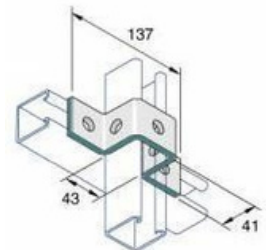
Size	Fig.	HDG	Stainless
------	------	-----	-----------

21mm	1	D029GS	D029A4
41mm	2	D030GS	D030A4
82mm Long	3	D031	D031A4
82mm Wide	4	D032	D032A4

1



2



3

4

C BRACKET

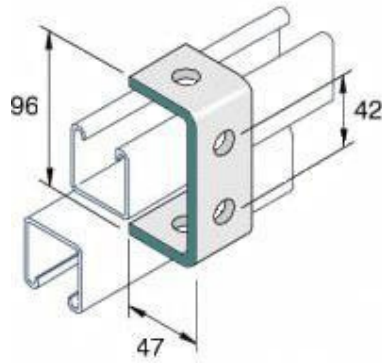
Hot Dipped Galvanised

Size: 14mm Diameter Holes
5mm Thickness

Clamping 2 x 41mm Channel

Size HDG

96mm D033



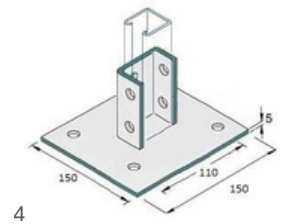
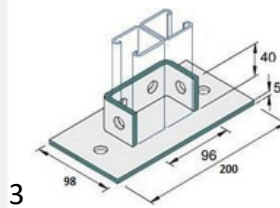
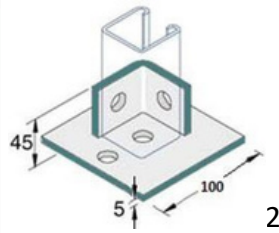
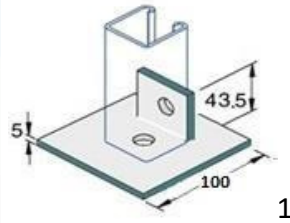
BASE PLATES

Hot Dipped Galvanised / Stainless Steel
Size: 14mm Diameter Holes

5mm Thickness

Available: Various

Size	Fig.	HDG	Stainless
Single Fix	1	D034GS	D034A4
Double Fix	2	D035GS	D035A4
Double Channel	3	D036	-
XL Single Fix	4	D070	-
XL Double Fix	-	D071	-



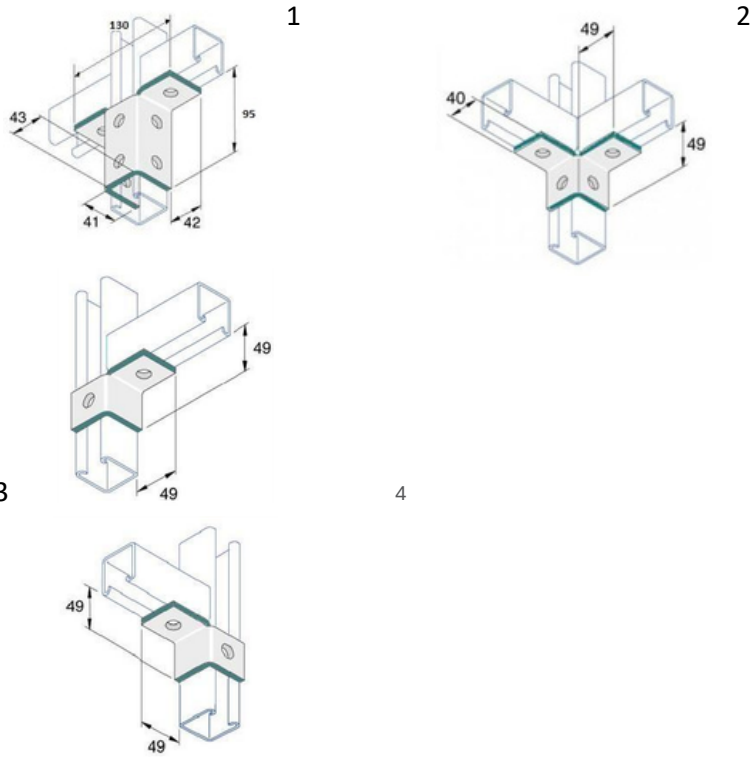
WINGED BRACKETS

Hot Dipped Galvanised

Size: 14mm Diameter Holes
5mm Thickness

Available: Various

Size	Fig.	HDG
2-Legged Tower	1	D039
2-Legged Wing	2	D064



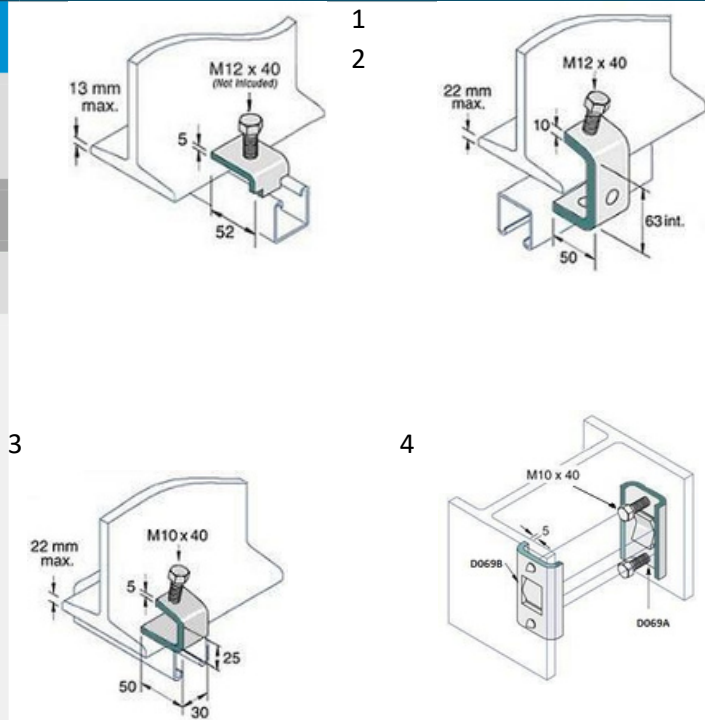
BEAM & STRUT CLAMPS

Hot Dipped Galvanised / Stainless Steel

Size: 14mm Diameter Holes
5mm & 10mm Thickness

Available: Various

Size	Fig.	HDG	Stainless
Toe Beam Clamp 5mm	1	D040	-
Large C Tapped Beam Clamp 10mm	2	D041	-
Small C Tapped Beam Clamp 5mm	3	D042	-
41mm Window Girder Bracket 5mm	-	D044	D044A4
Internal Strut Girder Clamp Pair	4	D069	-

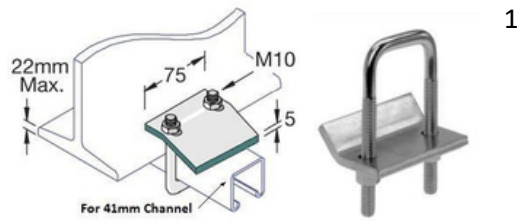


U BOLT BEAM CLAMPS

Pre Galvanised / Hot Dipped Galvanised

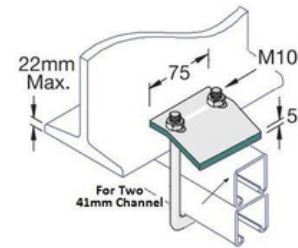
Size: Fits 41mm Channel

Available: Singular & Sets



1

Size	Fig.	Pre-Galvanised	HDG
U Bolt & Bracket	1	-	D045
300mm U-Bolt Channel Clamp Set	2	D045PX300	-
400mm U-Bolt Channel Clamp Set	2	D045PX400	-
500mm U-Bolt Channel Clamp Set	2	D045PX500	-
U-Bolt for 82mm Channel	3	-	D046



2

3

WINDOW BRACKETS

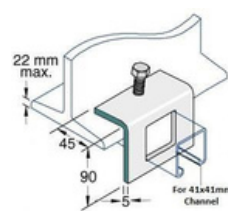
Hot Dipped Galvanised / Stainless Steel

Size: 5mm Thick

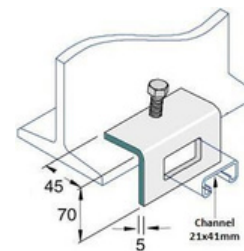
Available: 21mm – 82mm

Size	Fig.	HDG	Stainless
41mm Window Girder Bracket 5mm	1	D044	D044A4
21mm Window Girder Bracket 5mm	2	D047	D047A4
82mm Window Girder Bracket 5mm	3	D048	-

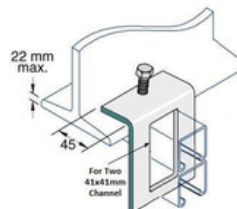
1



2



3



STRUT CHANNEL END CAPS & COVER STRIPS



END CAP

VARIANT	BLACK	WHITE
21 MM	ECB21	ECW21
21 MM LIGHT CHANNEL	ECB21-LITE	ECW21-LITE
41 MM	ECB41	ECW41



“
TWIST & LOCK STRUT CLIP (BLACK)

Code: TWBLK.Q1

”

STRUT CHANNEL END CAPS & COVER STRIPS



CLOSURE / COVER STRIP

LENGTH	PRE-GALVANISED (PG)	PLASTIC (PVC) BLACK	PLASTIC (PVC) WHITE
1 M	CCPG.1000	CCSB.1000	CCSW.1000
2 M	CCPG.2000	CCSB.2000	CCSW.2000
3 M	CCPG.3000	CCSB.3000	CCSW.3000

CANTILEVER ARMS / TRAY & WIRE BRACKETS



PLAIN CANTILEVER ARMS

LENGTH	HDG (HOT DIPPED GALVANISED FINISH)	STAINLESS STEEL (A316/A4)
200 MM	CLA200	CLA200-A4
300 MM	CLA300	CLA300-A4
450 MM	CLA450	CLA450-A4
600 MM	CLA600	CLA600-A4
750 MM	CLA750	CLA750-A4
900 MM	CLA900	CLA900-A4

CANTILEVER ARMS / TRAY & WIRE BRACKETS



SLOTTED CANTILEVER ARMS

LENGTH	HDG (HOT DIPPED GALVANISED FINISH)	STAINLESS STEEL (A316/A4)
200 MM	-	CLA200S-A4
300 MM	CLA300S	CLA300S-A4
450 MM	CLA450S	CLA450S-A4
600 MM	CLA600S	CLA600S-A4
750 MM	CLA750S	CLA750S-A4
900 MM	CLA900S	CLA900S-A4

CANTILEVER ARMS / TRAY & WIRE BRACKETS



BACDK TO BACK CANTILEVER ARMS

LENGTH	HDG (HOT DIPPED GALVANISED FINISH)
300 MM	CLA300BB
450 MM	CLA450BB
600 MM	CLA600BB
750 MM	CLA750BB
900 MM	CLA900BB

CANTILEVER ARMS / TRAY & WIRE BRACKETS

CONDENSING WALL BRACKET KIT



LENGTH	HDG (HOT DIPPED GALVANISED FINISH)
450 MM	CLA450S-WB1
600 MM	CLA600S-WB1
750 MM	CLA750S-WB1
900 MM	CLA900S-WB1



**EASY FIT CONDENSER BRACKET C/W
CROSSBAR KIT**

Code: CBR2-EL



CHANNEL SOCKETS & TROLLEY ASSEMBLIES FOR UNISTRUT



UNISTRUT P2750 METAL
DOUBLE WHEEL TROLLEY

Code: P2750



UNISTRUT METAL CHANNEL
TROLLEY DOUBLE WHEEL

Code: P2950



UNISTRUT SINGLE WHEEL
TROLLEY ASSEMBLY

Code: P2949



UNISTRUT P2749 SINGLE
WHEEL CARRIAGE

Code: P2749



UNISTRUT TROLLEY CHANNEL
HANGER GALVANISED (P1834A)

Code: P1834A



UNISTRUT TROLLEY TRACK
HANGER GALVANISED

Code: P1834G

More Detail Products:



www.directchannel.uk.com



sales@directchannel.uk.com



CHANNEL SOCKET

SOCKET SIZE	FOR	PRODUCT CODE
17 mm	21 MM CHANNEL	CSM10S
	41 MM CHANNEL	CSM10
	82 MM CHANNEL	CSM10E
19MM	41 MM CHANNEL	CSM12
	82 MM CHANNEL	CSM12E



**UNISTRUT GHML SWIVEL
ANGLE FITTING**

VARIANT	PRODUCT CODE
M8	GHML8
M10	GHML10
M12	GHML12



FLEXI FOOT

RUBBER FLEXI FOOT	VARIANT	BZP
	250 MM	FF250S
	400 MM	FF400S
	600 MM	FF600S
	1000 MM	FF1000S

PLASTIC FLEXI FOOT	VARIANT	BZP
	305 MM	UPF350
	500 MM	UPF500
	FOOT STRUT	
	M6 110 X 110 MM	FSM6
	M10 110 X 110 MM	FSM10