

D004

DATASHEET FLAT PLATE CONNECTOR

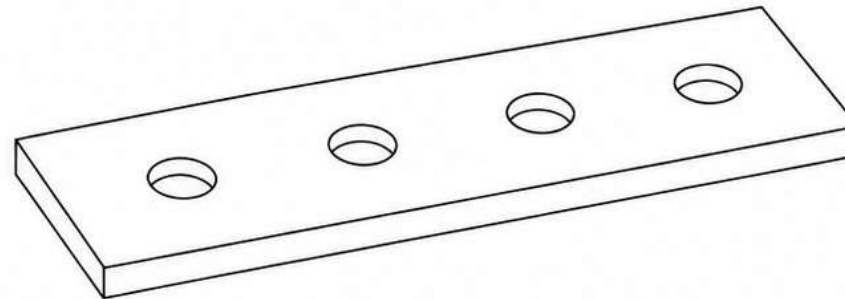
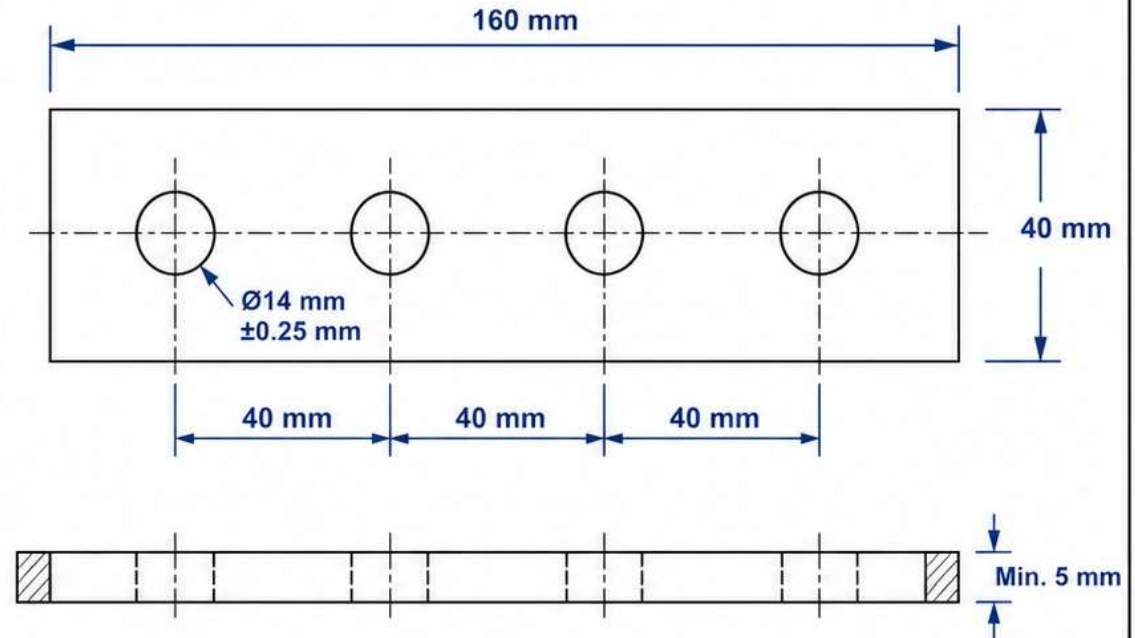


SPECIFICATIONS

Part Code	D004
Length	160 mm
Width	40 mm
Thickness	Min. 5 mm
Hole Diameter	Ø14 mm ± 0.25 mm
No. of Holes	4
Finish	A4 Stainless Steel
Material	Stainless Steel

NOTES

1. All dimensions are in millimeters (mm).
2. Hole diameter tolerance: ± 0.25 mm.
3. Minimum plate thickness: 5 mm.
4. A4 stainless steel construction.
5. Deburr all edges and holes after manufacturing.
6. All dimensions are center to center unless otherwise specified.



PART CODE
D004

DESCRIPTION
FLAT PLATE CONNECTOR

FINISH
A4

REVISION
A

DATE
23-Jun-2026