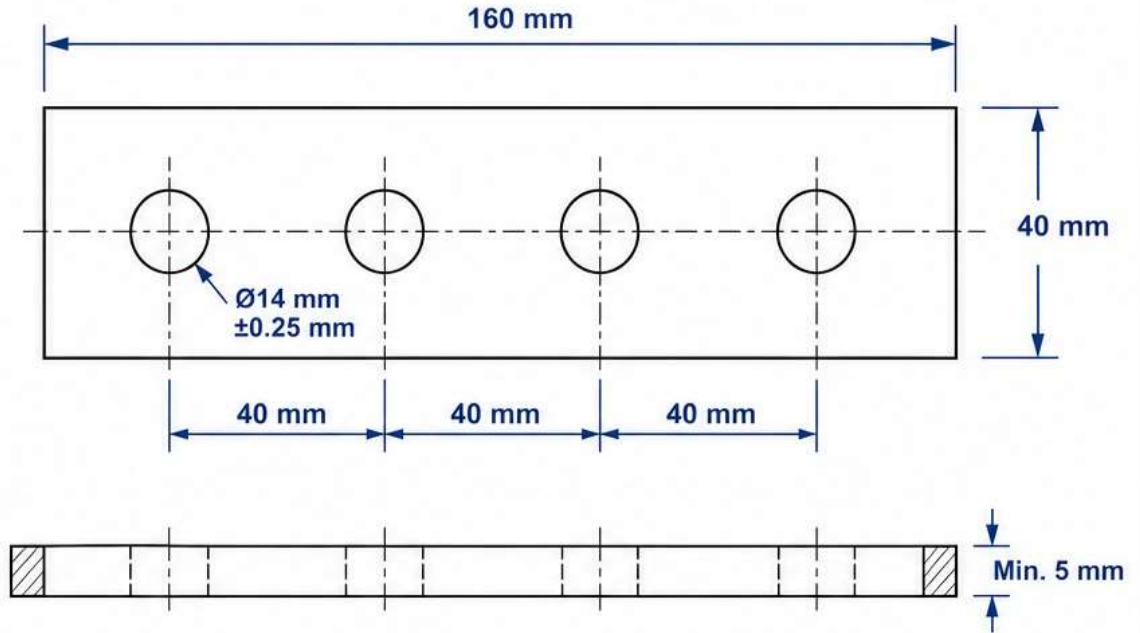


D004

DATASHEET FLAT PLATE CONNECTOR

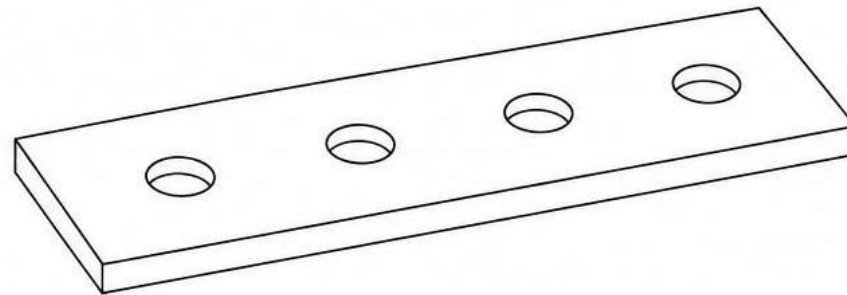


SPECIFICATIONS

Part Code	D004
Length	160 mm
Width	40 mm
Thickness	Min. 5 mm
Hole Diameter	Ø14 mm ± 0.25 mm
No. of Holes	4
Finish	HDG (Hot Dip Galvanized)
Material	Mild Steel

NOTES

1. All dimensions are in millimeters (mm).
2. Hole diameter tolerance: ± 0.25 mm.
3. Minimum plate thickness: 5 mm.
4. HDG as per relevant IS/ASTM standard.
5. Deburr all edges and holes after manufacturing.
6. All dimensions are center to center unless otherwise specified.



PART CODE
D004

DESCRIPTION
FLAT PLATE CONNECTOR

FINISH
HDG

REVISION
A

DATE
23-Jun-2026