

Channel Hinge P1354 Adjustable

Adjustable Hinge | 6mm Steel | Bright Zinc Plated | 2x2 Hole (14mm) | 100 x 100 mm Arms | Fits 41mm Channel

The Direct Channel P1354 Adjustable Channel Hinge connects strut channel at variable angles, giving a robust, fully adjustable joint for framework and support systems. It is built from 6mm heavy-gauge mild steel with a Bright Zinc Plated finish for long service in industrial and commercial installations.

Two 100 x 100 mm arms, each with a 2x2 hole pattern (14mm diameter holes, two per face), pivot on a central knuckle so the hinge can be set and fixed at any angle. It fits all common 41mm strut and Unistrut-type channel and is sold individually.

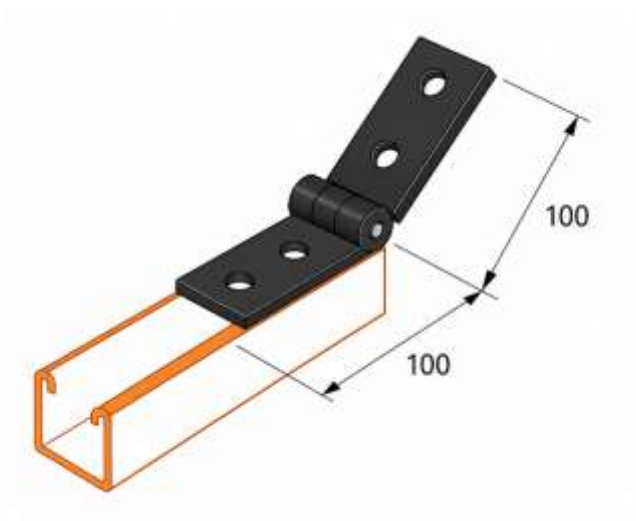
SPECIFICATION

Product Type	Adjustable channel hinge
Model / Type	P1354 (Unistrut type)
Material	6mm mild steel, heavy duty
Finish	Bright Zinc Plated (BZP)
Hole Configuration	2 x 2 hole (4 holes total)
Hole Diameter	14 mm (2 per face)
Arm Size	100 x 100 mm
Adjustment	Fully adjustable / rotational
Compatibility	Fits all 41mm strut / Unistrut-type channel
Weight	0.416 kg
Product Code	D075
Supply	Sold individually

KEY FEATURES

<ul style="list-style-type: none"> Fully adjustable — connects channel at any angle Bright Zinc Plated (BZP) finish 100 x 100 mm arms Central knuckle for rotational adjustment 	<ul style="list-style-type: none"> Heavy-duty 6mm mild steel 2x2 hole pattern, 14mm diameter holes Fits all 41mm / Unistrut-type channel For structural connections and framework
---	---

TECHNICAL DRAWING



P1354 adjustable channel hinge — dimensions not to scale

AVAILABLE SIZES

Product Code	Model	Arm Size	Hole Config	Finish
D075	P1354	100 × 100 mm	2×2 — 14mm dia	Bright Zinc Plated

P1354 is the Unistrut-type reference; D075 is the Direct Channel code. Holes are 14mm diameter (two per face). Weight 0.416 kg. An A4 / A316 stainless steel version is also available. Verify load capacity for the application.

TYPICAL APPLICATIONS

Adjustable structural connections	HVAC and mechanical services
Mechanical assemblies and framework	Cable & pipe containment systems
Custom strut framework set at angles	On-site bracketry and supports

To Order: Visit directchannel.uk.com or call **0121 270 8507** | Trade & bulk enquiries: sales@directchannel.uk.com | Most orders dispatched same or next working day.

DISCLAIMER & LEGAL NOTICE

Direct Channel Support Systems Ltd has made every reasonable effort to ensure the accuracy and completeness of the information contained in this datasheet. All product specifications, dimensions, and technical details are provided for guidance purposes only. Direct Channel Support Systems Ltd reserves the right to alter, update, or withdraw any product or specification at any time and without prior notice. To the fullest extent permitted by law, Direct Channel Support Systems Ltd accepts no liability for any loss, damage, or consequential loss arising from reliance on the information contained herein. Customers are advised to verify all specifications prior to ordering. For the most current product information visit directchannel.uk.com or contact our sales team.