

## Back to Back Strut Channel — Pre-Galvanised (PG)

Plain & Slotted | 2.5mm Heavy Duty | 82×41mm | Spot Welded | BS6946:1988

Direct Channel Pre-Galvanised (PG) Back to Back Strut Channel is constructed from two 41×41mm PG channels spot welded together at the web to form a 82×41mm box-section profile. The back to back configuration significantly increases load capacity and torsional stiffness compared to a single channel, making it ideal for heavy duty M&E, structural, and cable containment support applications.

Available in plain and slotted configurations across standard stock lengths of 1m to 6m. Compatible with all P1001-type channel nuts and accessories.

SPECIFICATION	
<b>Profile</b>	82 × 41mm (2 × 41×41mm spot welded back to back)
<b>Material</b>	Mild Steel
<b>Finish</b>	Pre-Galvanised (PG)
<b>Standard</b>	BS6946:1988
<b>Thickness</b>	2.5mm (per channel)
<b>Overall Height</b>	81.2 – 82.8mm
<b>Width</b>	40.9 – 41.7mm
<b>Return Lip</b>	6.5 – 7.5mm (per channel)
<b>Slot Width</b>	13.5 – 14.5mm (slotted variants)
<b>Slot Length</b>	27.5 – 28.5mm (slotted variants)
<b>Construction</b>	Spot welded at the web
<b>Stock Lengths</b>	1m, 2m, 3m, 4m, 5m, 6m
<b>Application</b>	Internal use — mechanical and electrical support

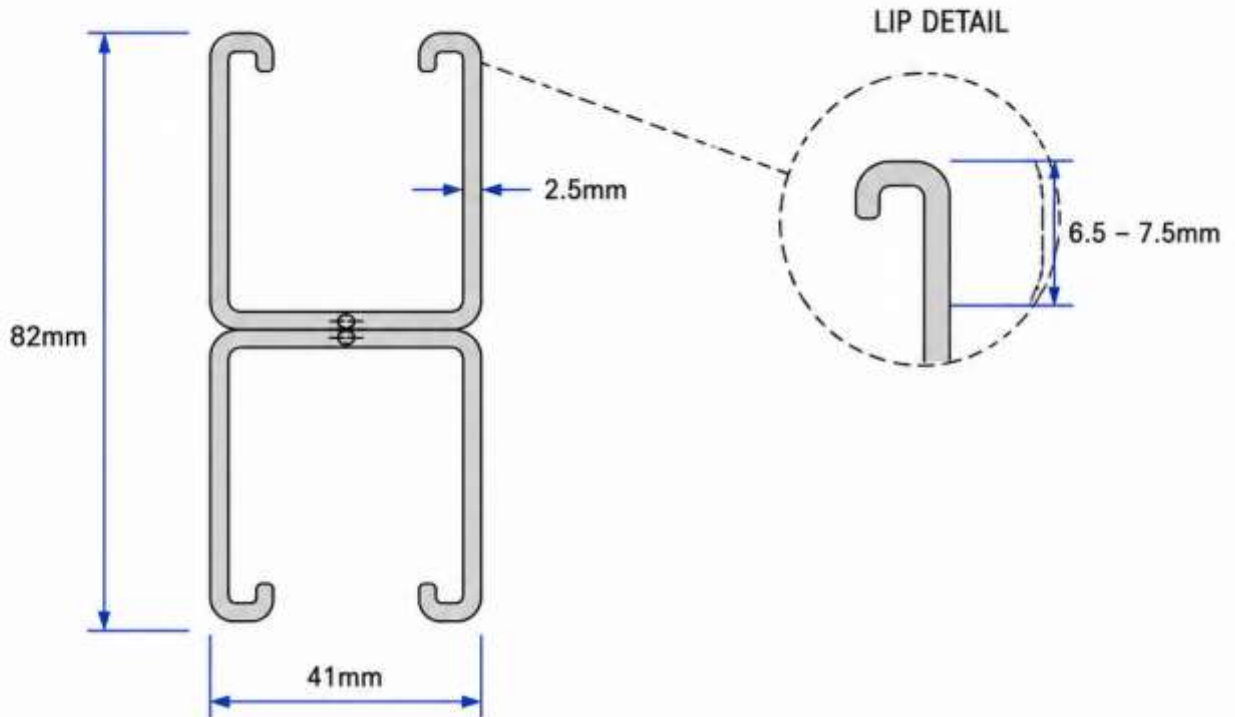
**Construction Note:** Channels are joined back to back using spot welding at the web. The two 41×41mm channels are welded together to form an 82×41mm box-section profile, providing significantly increased load capacity and torsional rigidity compared to a single channel.

### KEY FEATURES

- 82×41mm profile — two 41×41mm channels spot welded at the web
- Significantly higher load capacity than single channel
- Plain and slotted variants — 1m to 6m stock lengths
- 2.5mm heavy duty steel throughout
- Pre-Galvanised zinc coating — BS6946:1988
- Suitable for internal use and protected environments
- Stock lengths: 1m, 2m, 3m, 4m, 5m, 6m
- Compatible with all P1001-type channel nuts and accessories

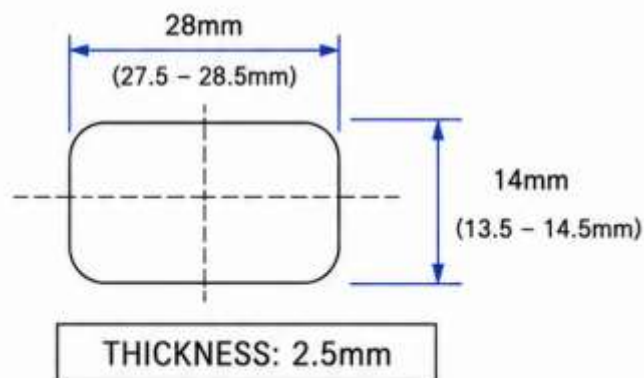
**TECHNICAL DRAWING**

**1. CROSS SECTION (BACK TO BACK – VERTICAL)**



Note: Channels are joined back to back using spot welding at the web.

**2. SLOT DETAIL – REFERENCE FOR SLOTTED CHANNELS**



Note: Slots dimensions are for reference for slotted channels.

**AVAILABLE SIZES — FULL PRODUCT RANGE**

SKU / Part No.	Length	Profile	Type	Thickness	Description
<b>Plain — Back to Back</b>					
CP41B-1	1m	82×41mm	Plain	2.5mm	82×41mm PG Back to Back Plain Channel — 1 Metre
CP41B-2	2m	82×41mm	Plain	2.5mm	82×41mm PG Back to Back Plain Channel — 2 Metre
CP41B	3m	82×41mm	Plain	2.5mm	82×41mm PG Back to Back Plain Channel — 3 Metre
CP41B-4	4m	82×41mm	Plain	2.5mm	82×41mm PG Back to Back Plain Channel — 4 Metre
CP41B-5	5m	82×41mm	Plain	2.5mm	82×41mm PG Back to Back Plain Channel — 5 Metre
CP41B-6	6m	82×41mm	Plain	2.5mm	82×41mm PG Back to Back Plain Channel — 6 Metre
<b>Slotted — Back to Back</b>					
CS41B-1	1m	82×41mm	Slotted	2.5mm	82×41mm PG Back to Back Slotted Channel — 1 Metre
CS41B-2	2m	82×41mm	Slotted	2.5mm	82×41mm PG Back to Back Slotted Channel — 2 Metre
CS41B	3m	82×41mm	Slotted	2.5mm	82×41mm PG Back to Back Slotted Channel — 3 Metre
CS41B-4	4m	82×41mm	Slotted	2.5mm	82×41mm PG Back to Back Slotted Channel — 4 Metre
CS41B-5	5m	82×41mm	Slotted	2.5mm	82×41mm PG Back to Back Slotted Channel — 5 Metre
CS41B-6	6m	82×41mm	Slotted	2.5mm	82×41mm PG Back to Back Slotted Channel — 6 Metre

**TYPICAL APPLICATIONS**

Heavy duty mechanical and electrical (M&E) support frameworks  
 High load cable containment tray and ladder rack support structures  
 Structural column and post applications in building services

Industrial racking, shelving, and heavy structural frameworks  
 Plant room and equipment support requiring enhanced rigidity  
 Compatible with all P1001-type channel nuts and accessories

**To Order:** Visit [directchannel.uk.com](https://directchannel.uk.com) or call **0121 270 8507** | Trade & bulk enquiries: [sales@directchannel.uk.com](mailto:sales@directchannel.uk.com) | Most orders dispatched same or next working day.

**DISCLAIMER & LEGAL NOTICE**

Direct Channel Support Systems Ltd has made every reasonable effort to ensure the accuracy and completeness of the information contained in this datasheet. All product specifications, dimensions, and technical details are provided for guidance purposes only. Direct Channel Support Systems Ltd reserves the right to alter, update, or withdraw any product or specification at any time and without prior notice. To the fullest extent permitted by law, Direct Channel Support Systems Ltd accepts no liability for any loss, damage, or consequential loss arising from reliance on the information contained herein. Customers are advised to verify all specifications prior to ordering. For the most current product information visit [directchannel.uk.com](https://directchannel.uk.com) or contact our sales team.