

41mm Stainless Steel Strut Channel — Plain & Slotted — A316 / A4

SKU: CP41SS / CS41SS | Profile: 41x41mm | Category: Stainless Steel Range | Length: 200mm – 6m

Direct Channel Stainless Steel Strut Channel is manufactured from Grade A316 / A4 stainless steel, engineered for superior strength and corrosion resistance in harsh, outdoor, marine-grade, and chemically aggressive environments. Available in plain and slotted profiles in the 41 x 41mm section at 2.5mm heavy-duty wall thickness, these channels are compatible with all P1000 and P1000T type strut channel accessories and fixings. The slotted profile features 28 x 14mm slots at 50mm pitch, allowing tool-free adjustment of bracket and fixing positions. Supplied in standard lengths from 1m to 6m, and available cut to length from 200mm up to 6 metres to suit any project requirement.

SPECIFICATION	
Material	Grade A316 / A4 Stainless Steel
Finish	Stainless Steel (Marine Grade)
Profile	41 x 41mm
Thickness	2.5mm — Heavy Duty
Slot Dimensions	28 x 14mm (slotted models)
Slot Pitch	50mm centre to centre
Return Lip	6.5 – 7.5mm
Channel Type	P1000 Type (Plain) / P1000T Type (Slotted)
Lengths	1m, 2m, 3m, 4m, 5m, 6m

KEY FEATURES

- Grade A316 / A4 stainless steel — marine, chemical, food-grade, and coastal environments
- Heavy-duty 2.5mm wall thickness — 41 x 41mm profile
- Plain channel (CP41SS) — P1000 type strut channel compatible
- Slotted channel (CS41SS) — P1000T type strut channel compatible
- Slot: 28 x 14mm at 50mm pitch — tool-free adjustment
- Return lip 6.5–7.5mm for secure nut engagement
- Lengths: 1m, 2m, 3m, 4m, 5m, 6m — sold individually
- Cut to length available: 200mm to 6 metres — contact us to order


AVAILABLE SIZES / PRODUCT RANGE

SKU / Part No.	Type	Length	Weight (approx.)	Channel Type	Description
CP41SS-1	Plain	1m	2.60 kg	P1000 Type	41x41mm Plain Channel A4 Stainless Steel – 2.5mm Heavy Duty
CP41SS-2	Plain	2m	5.20 kg	P1000 Type	41x41mm Plain Channel A4 Stainless Steel – 2.5mm Heavy Duty
CP41SS	Plain	3m	7.80 Kg	P1000 Type	41x41mm Plain Channel A4 Stainless Steel – 2.5mm Heavy Duty
CP41SS-4	Plain	4m	10.40 kg	P1000 Type	41x41mm Plain Channel A4 Stainless Steel – 2.5mm Heavy Duty
CP41SS-5	Plain	5m	13 kg	P1000 Type	41x41mm Plain Channel A4 Stainless Steel – 2.5mm Heavy Duty
CP41SS-6	Plain	6m	15.60 kg	P1000 Type	41x41mm Plain Channel A4 Stainless Steel – 2.5mm Heavy Duty
CS41SS-1	Slotted	1m	2.45 kg	P1000T Type	41x41mm Slotted Channel A4 Stainless Steel – 2.5mm Heavy Duty
CS41SS-2	Slotted	2m	4.90 kg	P1000T Type	41x41mm Slotted Channel A4 Stainless Steel – 2.5mm Heavy Duty
CS41SS	Slotted	3m	7.35 kg	P1000T Type	41x41mm Slotted Channel A4 Stainless Steel – 2.5mm Heavy Duty
CS41SS-4	Slotted	4m	9.80 kg	P1000T Type	41x41mm Slotted Channel A4 Stainless Steel – 2.5mm Heavy Duty

CS41SS-5	Slotted	5m	12.25 kg	P1000T Type	41x41mm Slotted Channel A4 Stainless Steel – 2.5mm Heavy Duty
CS41SS-6	Slotted	6m	14.70 kg	P1000T Type	41x41mm Slotted Channel A4 Stainless Steel – 2.5mm Heavy Duty

✦ Cut to length available on all plain and slotted stainless steel channel — from 200mm up to 6 metres. Contact us to order: sales@directchannel.uk.com | 0121 270 8507

TECHNICAL DRAWING — 41x41mm PLAIN & SLOTTED CHANNEL



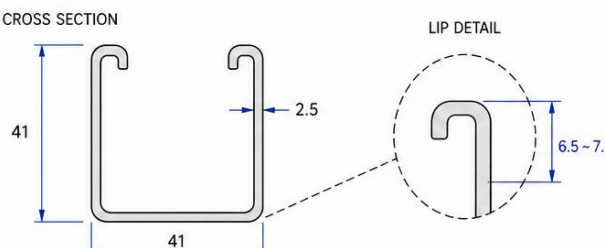
41 x 41mm CHANNEL

PLAIN & SLOTTED CHANNEL – TECHNICAL DATASHEET

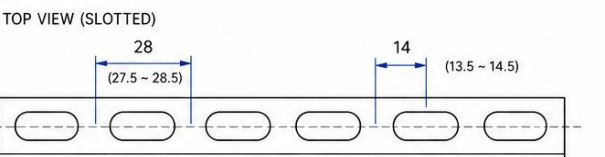
MATERIAL : 316L STAINLESS STEEL
FINISH : STAINLESS STEEL
LENGTH OPTIONS : 1000 / 2000 / 3000 / 4000 / 5000 / 6000 mm
 OTHER LENGTHS AVAILABLE – CUT TO LENGTH

41 x 41mm SLOTTED CHANNEL

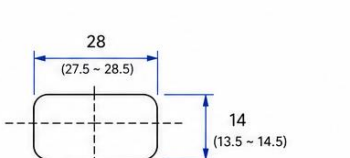
1. CROSS SECTION



2. TOP VIEW (SLOTTED)

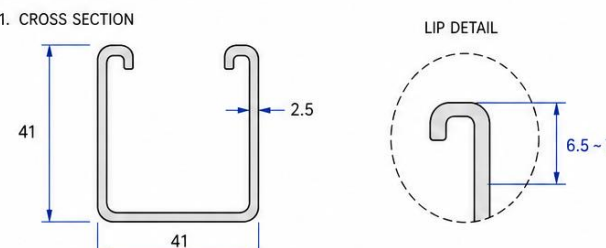


3. SLOT DETAIL

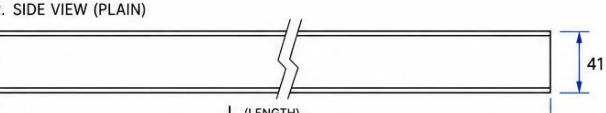


41 x 41mm PLAIN CHANNEL

1. CROSS SECTION



2. SIDE VIEW (PLAIN)




LENGTH OPTIONS (L)						
AVAILABLE LENGTHS	1000mm	2000mm	3000mm	4000mm	5000mm	6000mm
	✓	✓	✓	✓	✓	✓


OTHER LENGTHS AVAILABLE – CUT TO LENGTH

KEY DIMENSIONS SUMMARY


HEIGHT (H) : 41 mm	MATERIAL : 316L STAINLESS STEEL
WIDTH (W) : 41 mm	QUALITY ACCEPTANCE : ISO 3269
THICKNESS (T) : 2.5 mm	
RETURN LIP HEIGHT : 6.5 ~ 7.5 mm	
SLOT WIDTH (SW) : 14 mm (13.5 ~ 14.5)	
SLOT LENGTH (SL) : 28 mm (27.5 ~ 28.5)	




HEAVY DUTY PERFORMANCE



HIGH CORROSION RESISTANCE



PRECISE ENGINEERING



EASY TO INSTALL & VERSATILE

Dimension	Value
Height (H)	41mm
Width (W)	41mm
Thickness (T)	2.5mm
Slot Width (SW)	14mm (13.5~14.5)
Slot Length (SL)	28mm (27.5~28.5)

Dimension	Value
Pitch (C to C)	50mm (Approx.)
Return Lip	6.5 – 7.5mm
Quality Acceptance	ISO 3269
Material	316L Stainless Steel

COMPLIANCE & STANDARDS

Standard / Note	Details
A316 / A4 Grade	Marine-grade austenitic stainless steel — ideal for food-grade, chemical, coastal, and offshore environments
Quality Acceptance	ISO 3269
P1000 / P1000T Type	Compatible with all P1000 and P1000T type strut channel accessories, nuts, and brackets. This product is not manufactured by or affiliated with Unistrut.

To Order: Visit directchannel.uk.com or call **0121 270 8507** | Trade & bulk enquiries: sales@directchannel.uk.com | Most orders dispatched within 24 hours.

DISCLAIMER & LEGAL NOTICE

Direct Channel Support Systems Ltd has made every reasonable effort to ensure the accuracy and completeness of the information contained in this datasheet. However, all product specifications, dimensions, load data, finishes, and other technical details are provided for guidance purposes only. Direct Channel Support Systems Ltd reserves the right to alter, update, or withdraw any product, specification, or technical information at any time and without prior notice. To the fullest extent permitted by law, Direct Channel Support Systems Ltd accepts no liability for any loss, damage, injury, or consequential loss arising from reliance on the information contained herein. Customers are advised to verify all specifications prior to ordering. Static load suitability should always be confirmed by a project engineer. For the most current product information visit directchannel.uk.com or contact our sales team.