

# Square Plate Washers — 40 x 40mm | 3mm & 5mm | BZP

SKU: SPW06/08/10/12-3B40 &amp; SPW06/08/10/12-5B40 | Category: Square Plate Washers

Direct Channel Square Plate Washers are mild steel BZP-finished load-spreading plates designed for use with M6, M8, M10, and M12 threaded rod, bolts, and fixings across all strut channel and structural support applications. The 40 x 40mm plate with centrally positioned clearance hole distributes bearing loads over a wider surface area, preventing pull-through and damage to channel flanges, back plates, and structural members.

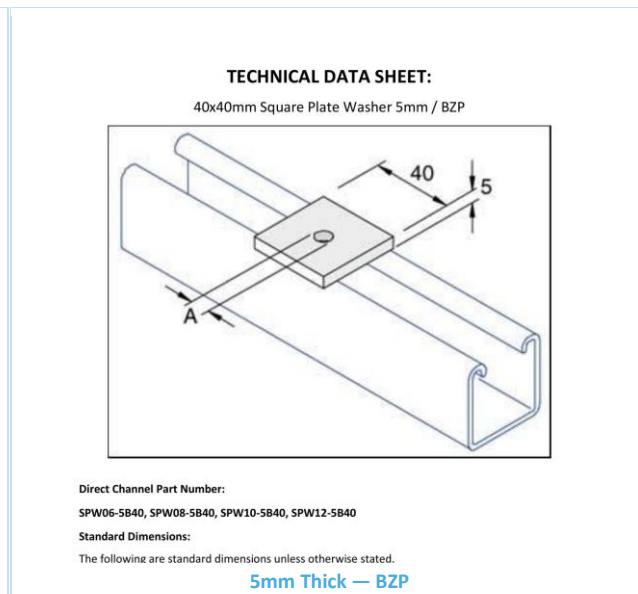
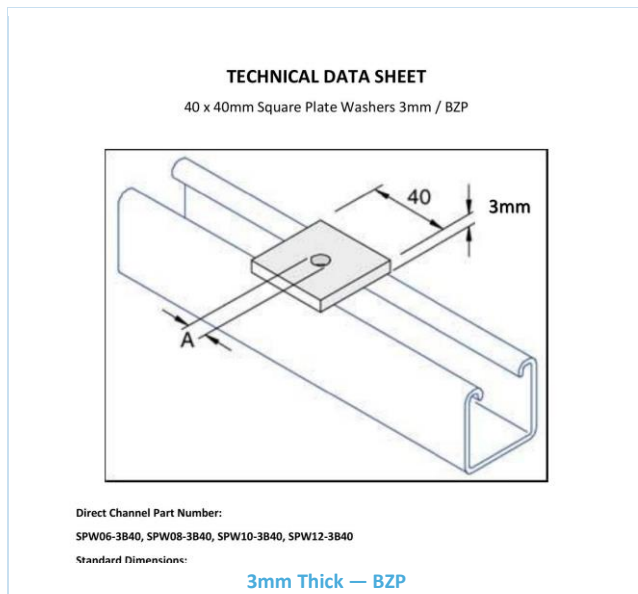
Available in 3mm and 5mm plate thicknesses — 3mm for standard loading and 5mm for heavy-duty applications. BZP finish provides a minimum 10-micron zinc coating for corrosion protection in internal and sheltered environments.

SPECIFICATION	
Material	Mild Steel
Finish	BZP — Minimum 10 microns
Plate Size	40 x 40mm
Thickness	3mm or 5mm (see range)
Hole Position	Centre of square
Hole Sizes	M6: 7mm   M8: 9mm   M10: 11mm   M12: 13mm
Fitting Width	40mm minimum

## KEY FEATURES

- Mild steel BZP — minimum 10 micron zinc coating
- 40 x 40mm plate — hole centred for even load distribution
- 3mm thickness — standard duty applications
- 5mm thickness — heavy duty and high-load applications
- Available in M6, M8, M10, and M12 hole sizes
- Suitable for threaded rod, strut channel, and structural fixings

## PRODUCT DRAWINGS



## HOLE SIZE REFERENCE

M6	M8	M10	M12	Hole size reference — centred in 40x40mm plate. All sizes nominal; dimensions subject to commercial tolerance. Hole centred in square — 40mm from each edge to hole centre
Ø 7mm	Ø 9mm	Ø 11mm	Ø 13mm	

**AVAILABLE SIZES / PRODUCT RANGE**

SKU / Part No.	Thickness	Bolt	Hole $\varnothing$	Plate Size	Finish	Description
SPW06-3B40	3mm	M6	7mm	40x40mm	BZP	40x40mm Square Plate Washer — 3mm BZP — M6
SPW08-3B40	3mm	M8	9mm	40x40mm	BZP	40x40mm Square Plate Washer — 3mm BZP — M8
SPW10-3B40	3mm	M10	11mm	40x40mm	BZP	40x40mm Square Plate Washer — 3mm BZP — M10
SPW12-3B40	3mm	M12	13mm	40x40mm	BZP	40x40mm Square Plate Washer — 3mm BZP — M12
SPW06-5B40	5mm	M6	7mm	40x40mm	BZP	40x40mm Square Plate Washer — 5mm BZP — M6
SPW08-5B40	5mm	M8	9mm	40x40mm	BZP	40x40mm Square Plate Washer — 5mm BZP — M8
SPW10-5B40	5mm	M10	11mm	40x40mm	BZP	40x40mm Square Plate Washer — 5mm BZP — M10
SPW12-5B40	5mm	M12	13mm	40x40mm	BZP	40x40mm Square Plate Washer — 5mm BZP — M12

**TYPICAL APPLICATIONS**

Load spreading on strut channel and back plates  
 Threaded rod support assemblies and hangers  
 Structural clamping with M6 to M12 fixings

HVAC, M&E, and mechanical pipe support installations  
 Cable tray and containment system fixing points  
 General construction framing and steelwork connections

**To Order:** Visit [directchannel.uk.com](https://directchannel.uk.com) or call **0121 270 8507** | Trade & bulk enquiries: [sales@directchannel.uk.com](mailto:sales@directchannel.uk.com) | Most orders dispatched within 24 hours.

**DISCLAIMER & LEGAL NOTICE**

Direct Channel Support Systems Ltd has made every reasonable effort to ensure the accuracy and completeness of the information contained in this datasheet. All product specifications, dimensions, and technical details are provided for guidance purposes only. Direct Channel Support Systems Ltd reserves the right to alter, update, or withdraw any product or specification at any time and without prior notice. To the fullest extent permitted by law, Direct Channel Support Systems Ltd accepts no liability for any loss, damage, or consequential loss arising from reliance on the information contained herein. Customers are advised to verify all specifications prior to ordering. For the most current product information visit [directchannel.uk.com](https://directchannel.uk.com) or contact our sales team.